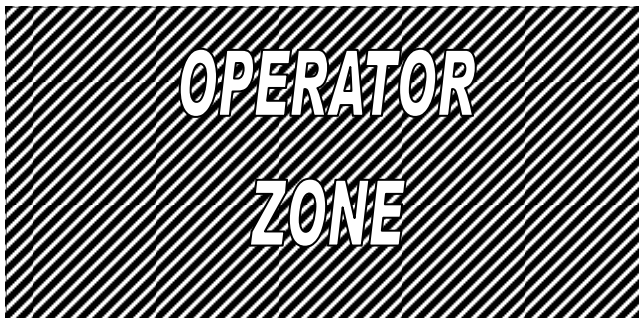
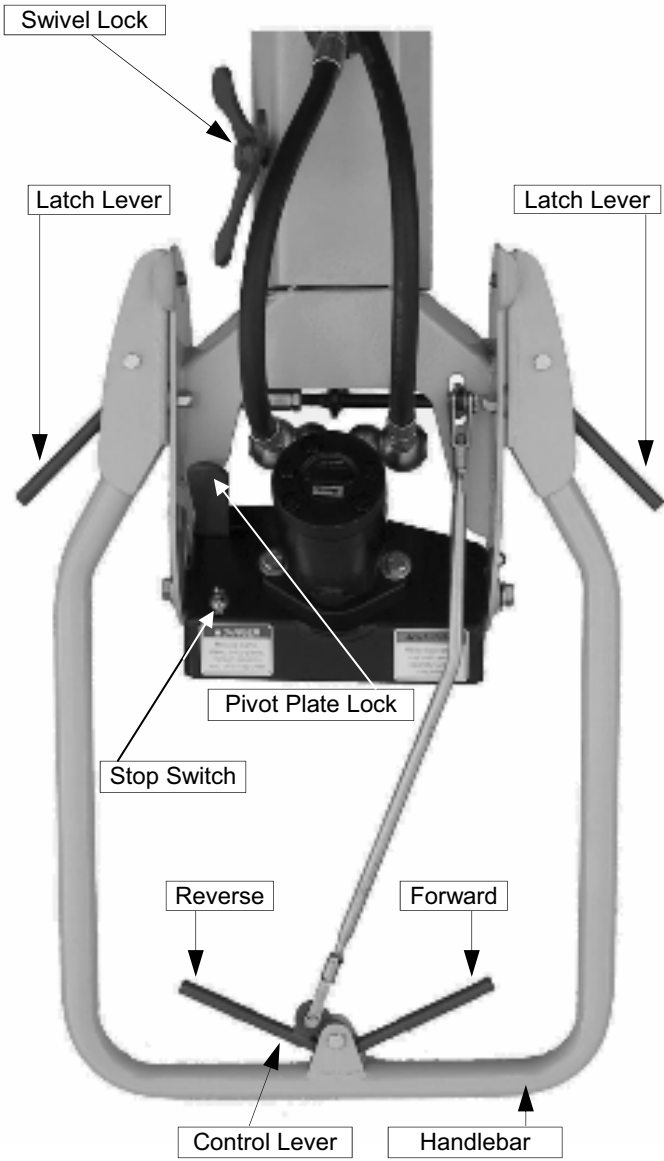


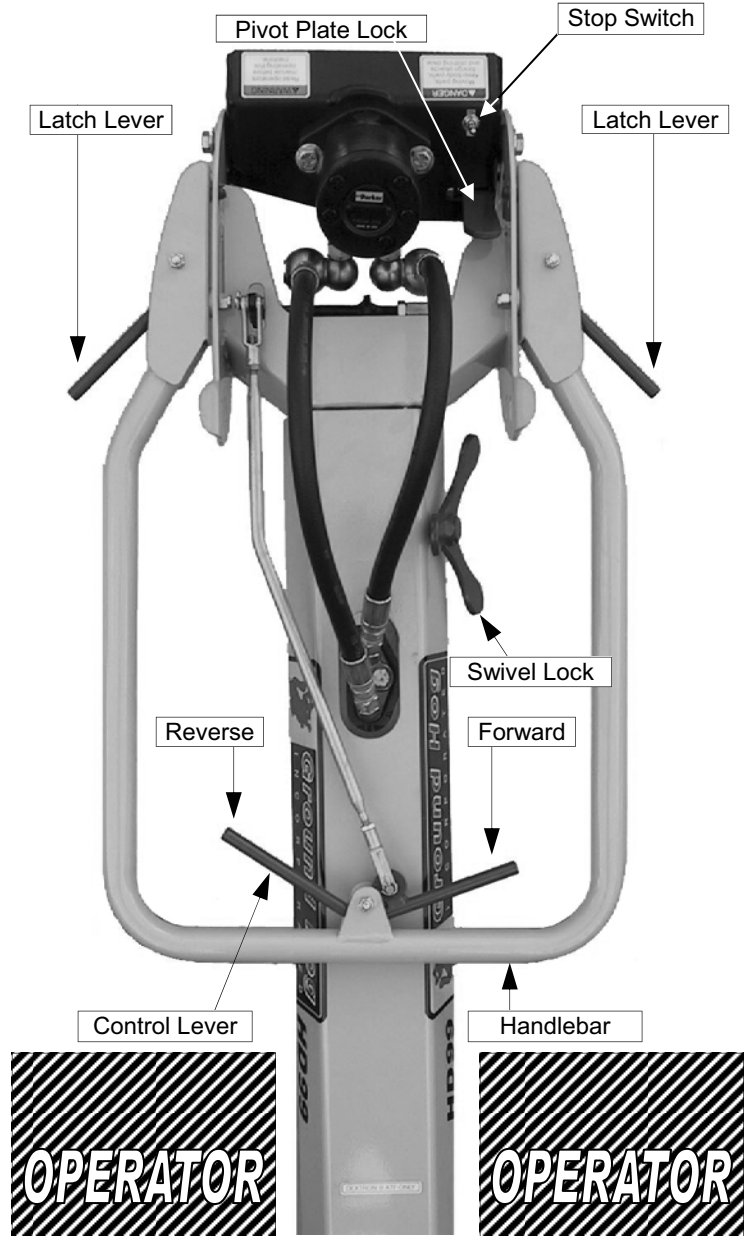
KEY POINTS OF THE HD99

Not intended to be a complete owner's manual - available upon request.

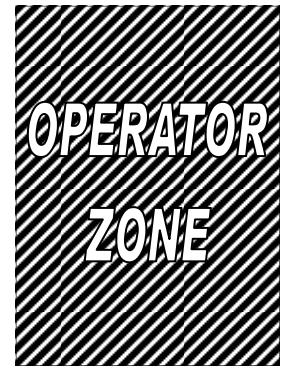
Normal Digging Handlebar Position



Up Close Digging and Towing Handlebar Position



...OR...



TOWING AND TRANSPORTATION

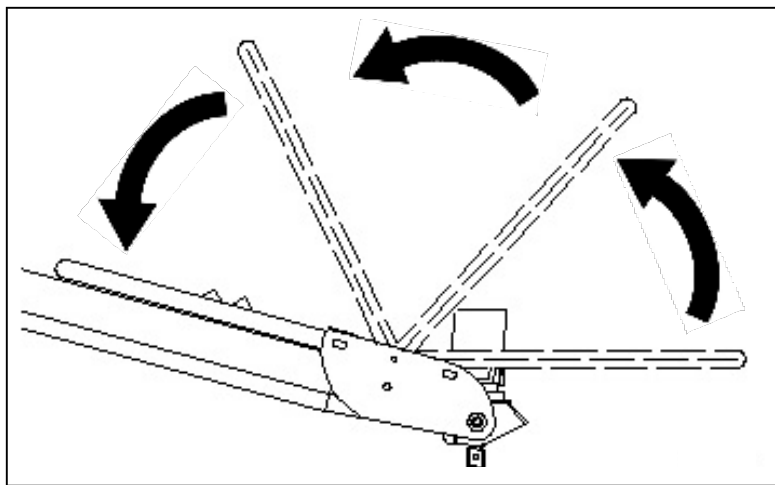
WARNING

- Comply with local state and highway regulations when towing.
- Read and follow all instructions in this manual.
- Check that ball is completely inserted into coupler socket before towing.
- Check that underjaw is securely closed around bottom of ball.
- Always secure this earth drill with tie downs or similar when transporting in a truck or trailer.
- Properly attach the towing chains

ATTACHING THE TOWBAR TO THE HD99

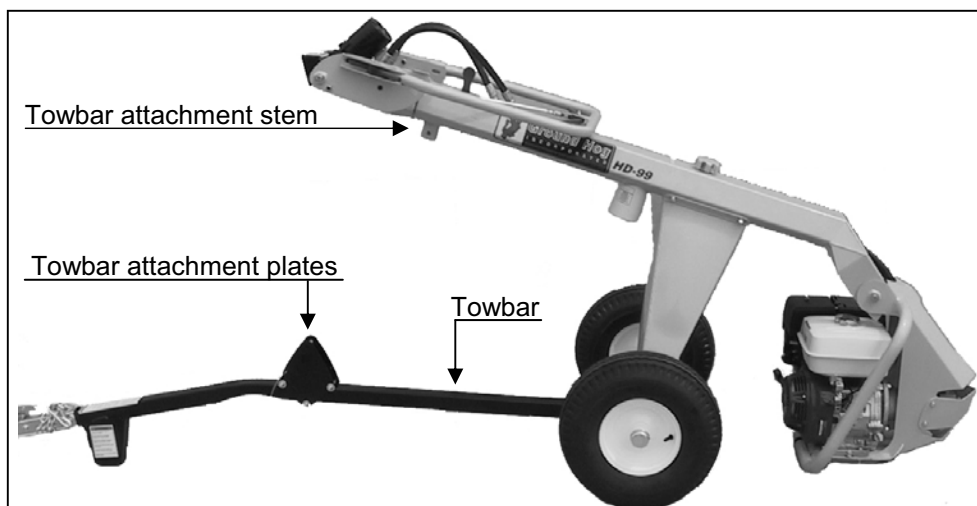
STEP 1

Move handlebar to transporting position.



STEP 2

Move the earth drill into position as shown below placing towbar on the ground under the axle.

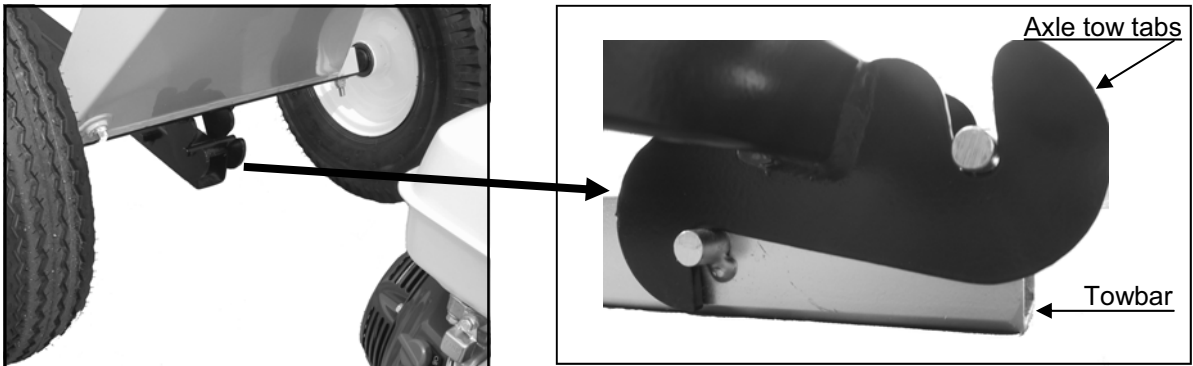


TOWING AND TRANSPORTATION cont'd...

ATTACHING THE TOWBAR TO THE HD99 cont'd...

STEP 3

Attach the towbar to the axle tow tabs as shown below.



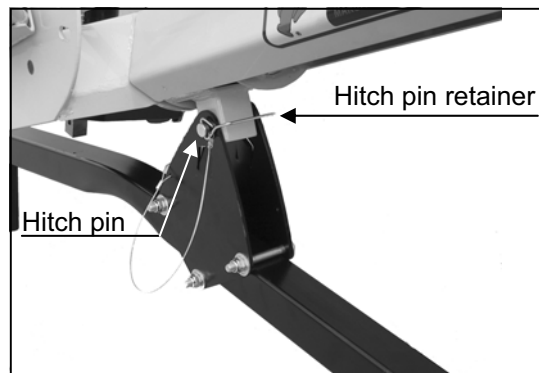
STEP 4

Lower the earth drill until towbar attachment stem rests in-between the towbar attachment plates .



STEP 5

Insert the hitch pin all the way through the holes on the towbar stem and attachment plates.



OPERATING INSTRUCTIONS

DANGER

Determine that the earth drill is in its original, factory configuration and has not been modified or damaged and is not missing parts in any way. If there are any questions about possible modifications made to the earth drill, do not use until the modifications have been corrected using only genuine replacement parts as recommended by Ground Hog or the engine manufacturer.

STOPPING THE HD99

There are two stop switches on the earth drill; one on the pivot plate and one on the engine. Refer to the engine manual for the switch location on your particular earth drill. The operator can turn the earth drill off at any time by switching either stop switch to the "OFF" position.

WARNING

Never connect or disconnect the auger while the engine is running.

STARTING THE HD99

1. Start the engine following the procedures outlined in the engine manual supplied with the earth drill.

2. Before attaching the auger, always start the earthdrill at the job site and allow it to warm up. While the machine is running, check the controls to be sure that everything is working as properly.

STARTING WITH AUGER ATTACHED

1. After the engine has been allowed to warm up, and everything is operating as it should, shut the motor off and attach the auger using the clevis pin and clip that we provide (part #1300).

2. Place the machine in the digging position.

3. Following the procedures outlined in the engine manual supplied with the machine, start the engine. If the engine does not start after 3 pulls of the starter rope, disconnect the auger from the machine and determine the cause. When the machine is in operating condition again, follow the procedures listed above before proceeding to the next step.

4. Set engine to maximum throttle.

WARNING

Hitting a buried object, such as a rock, could cause a sudden side thrust against the operator. Injury could occur if the operator is not prepared to deal with this condition.

DRILLING

1. Depress latch levers and rotate the handle bars to the normal digging position if it is not already.

2. Slowly depress the right side of the control lever. Use caution here as the auger will start to turn and dig at this point.

NOTE: This unit has a throttling feature. The more that you depress the control lever, the faster the auger will turn.

3. Allow the auger to dig at its own speed, keeping the auger straight in the hole by moving the machine back and forth as needed.

4. Increase or decrease the auger speed until you find a digging speed that you are comfortable with.

5. Do not attempt to drill the hole in one pass, you could bury the auger. Drill to a depth of approximately one foot and lift the auger to spin the dirt off. Be careful not to lift the auger completely out of the hole. Repeat this procedure until you have reached the required depth.

6. Release the control lever and lift the rest of the dirt out for a clean hole.

7. To reverse the rotation of the auger,, depress the left side of the control lever slowly. Use caution at this point, the auger will tend to climb out of the hole.

8. For up close digging, rotate the handle bars to the up close digging position and follow the instructions above.

NOTE: Allow the auger to dig at its own speed. Attempting to force the auger into hard ground and through buried objects could result in the auger becoming locked in the hole. If the auger bit should get locked in a hole, slowly engage the valve control lever in reverse to unlock the auger bit.

9. For digging on uneven terrain, rotate the boring head to the desired angle. Some digging conditions may or may not require you to tighten the swivel lock.

